

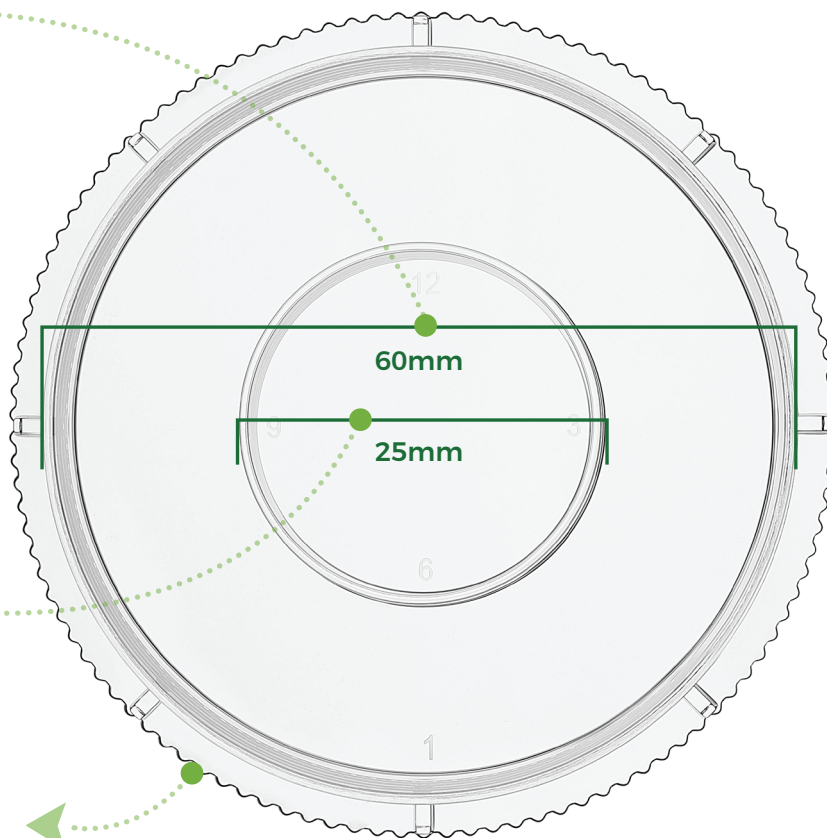
VITAVITRO® HUMDISH IMPROVING EMBRYO CULTURE



Added external water tank to maintain the high humidity environment in the Petri dish and reduce the evaporation of the culture medium, to prevent the increase of the osmotic pressure during the culture period.

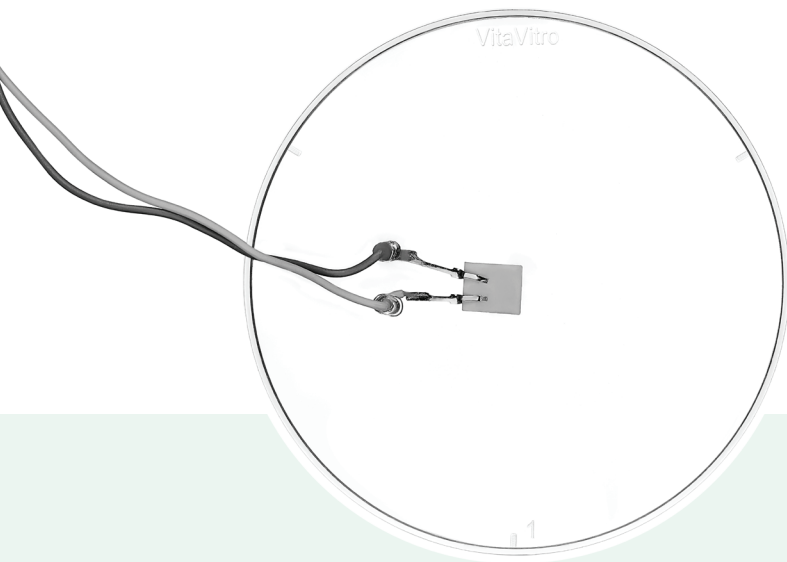
Reduced temperature fluctuation when observing outside the incubator.

Safe handling: a jagged-edge design ensures a firm grip, reducing the risk of drops and spillages.



The VitaVitro® Humdish is a purpose-designed sterile plastic dish for mammalian preimplantation embryo cultures, especially for - but not restricted to - dry incubators or those with inconsistent, uncontrolled humidity levels.

Most incubators used for embryo culture miss the proper, controllable humidification system. Evaporation-related increase of osmolality may compromise the outcome of uninterrupted blastocyst cultures, resulting in tens of thousands of unsuccessful cycles every year. We have no time to wait, no money to waste for new sophisticated incubator models. We need a cost-efficient, safe, universal solution - right now.



A special lid equipped with a sensor is available to test the humidity level in the Humdish under your standard embryo culture conditions.

(Purchase Separately)

A cost-efficient, safe, universal solution for embryo culture.



STABLE:

Maintains high (95-98%) humidity and consistent osmolality levels between Day 1 and 7. Decreases temperature fluctuations.



SAFE and SIMPLE:

Presence of water in the outer ring indicates proper function and correct parameters.

VitaVitro® Humdish is the result of a radically new approach - a kind of Columbus' egg. Instead of humidifying the incubator, we keep individual dishes humid. Using a large water reservoir in the outer ring and minimising evaporation by a narrow gap between the outer wall and the lid, the humidity level remains at 96-98% between Day 0 and 7, stabilising osmolality during the whole culture period. Additionally, the surrounding water decreases temperature fluctuations caused by door openings or microscopic control (if the latter is unavoidable).

ORDERING INFORMATION

Product Name	Catalog No.	Specifications
VitaVitro® Humdish	V005060301	1 piece / bag
	V005060310	10 pieces / bag

REFERENCES

Chen WB, Machaty Z, Marconetto A, Parmegiani L, Vajta G.

A Simple and Efficient Solution to Eliminate Evaporation in Mammalian Embryo Cultures.

Cell Reprogram. 2021 Oct;23(5):316-318. doi: 10.1089/cell.2021.0061. Epub 2021 Sep 3.



Shenzhen VitaVitro Biotech Co., Ltd.
R601, Building B, Hai Ke Xing Tech Park
Pingshan, Shenzhen, Guangdong 518118
P.R. China

Phone: +86 (755) 84511813
Email: tech@vitavitro.com

www.vitavitro.com

