

VitaVitro® Cooling Box User Manual



INDICATION FOR USE

As a liquid nitrogen container, used for fixing and transferring the storage devices during vitrification or warming of gametes or embryos.

COMPONENTS

- 1) Shell: Expanded polypropylene (EPP)
- 2) Lining: 304 stainless steel
- 3) Shelf: Acrylic

TYPE

LNB-1.0

SPECIFICATIONS

Size: 344×245×187mm

Weight: 1.4kg

STORAGE CONDITIONS

Storage at room temperature, keep away from fire.

INSTRUCTIONS

This cooling box is recommended to be used together with VitaVitro® Straw Set (OPS) storage device.

When using other device, each laboratory shall conduct verification before use.

- 1) Place the shelf in the liquid nitrogen box with a little force to secure it and keep it level (as shown in Figure 1).
- 2) Pour in liquid nitrogen so that the liquid nitrogen surface exceeds the mark scale line "5" but does not exceed the shelf.
- 3) Fix the container straw on the V-shaped fixing groove of the shelf, and the bottom end of the container straw color mark is flat with the shelf (as shown in Figure 2).
- 4) Vitrification or warming according to the method of storage device used.
- 5) After use, use a clean cloth to wipe the condensed water on the inner surface.

PRECAUTIONS AND WARNINGS

- 1) This product should be operated by professional personnel, please read the manual carefully before use.

- 2) No Press.
- 3) The liquid nitrogen level should be observed during use and kept within an appropriate range.
- 4) Do not touch the lining directly to avoid frostbite.
- 5) High-temperature sterilization is not allowed.

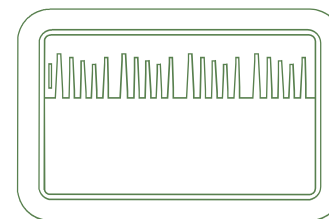


Figure 1

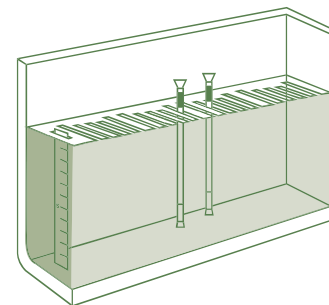


Figure 2



Shenzhen VitaVitro Biotech Co., Ltd.
R601, Building B, Hai Ke Xing Tech Park,
Baoshan Road No.16, Shenzhen,
Guangdong, China
Phone: +86 755 84511813
Service hotline: +86 755 84511813
(MON-FRI 9:00 to 17:00 CDT)
www.vitavitro.com