

NiloChecker 500



One Reference instrument many applications


The New all-in-one instrument made by Lab equipment specialists.


NiloChecker guides you through control and calibration of critical equipment in your laboratory. No need for multiple instruments from various manufacturers. With the NiloChecker you can control and calibrate Incubators, IVF workstations, warming system etc. An increasing range of measurement probes ensures your investment in years to come.

Functions and Technology

Time saving
Save precious time on Quality and Process controls. Perform up to 10 simultaneous measurements. For instance, check your incubator for CO₂, O₂ and Temperature at the same time.

Easy as 1-2-3
A large touch screen with intuitive software guides you through the measurement. It helps you to perform measurement in accordance to international standards and manufacturers recommendations.

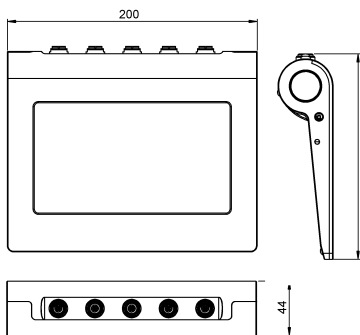
Add to table 
The Add-to-table function helps you processing and organizing data from many measurements.

Re-chargeable Battery 
Just bring the NiloChecker around. The high capacity battery ensures hours of measurement time, between charging

No need for calibration
The instrument is fully digital and will never need calibration. The instrument stays in the lab and measurement probes can be controlled and calibrated separately.

Compatible Sensors	CO ₂ , O ₂ , Temperature See Nilotech.eu
Max number of simultaneous measurements	Up to 10 sensors on 5 ports
Graph Function	Important tool to track any measurement
Data export	Export results to PC via USB
Instant measure	Instrument starts to measure once a probe is connected
Timer Function	Start/Stop allows to measure in a predefined time
Real time clock Calculation functions:	Date and time (24h clock) Max, Min, Average, Moving average, Deviation from average. <i>Easy to collect data from multiple sensors.</i>
Languages	Multiple screen languages available.

Dimensions



Specifications

Measure range and accuracy: Depends on connected probe

Display and Touch: 7", 800 x 480 pixel
Adjustable brightness
Capacitive touch

Compliance: ISO/EN 61010:2010
IEC 60950-1:2005/
AMD2:2013

Operating conditions: 0-50 °C
5-95% RH, IP 50

Power supply 12 V 30 W
Wall plug adaptor
100-240V

Connectors 5 Pcs Stainless steel with lock and quick release

Battery time between charging 8 Hours
Level displayed in %

Battery Charging Time < 3 hours

Ordering Information

NiloChecker 500
Part no: 111s001