

## DG112 CO<sub>2</sub>/O<sub>2</sub> probe



### CO2 and Oxygen measurements

Measuring gas inside incubators have always been tricky. Especially with gas analyzers aspirating gas from the incubator. Some incubators stability is influenced by even small gas aspirations and question often arise when has enough gas been sampled. Measuring inside the incubator instead of aspirating gas, result in more precise measurements.

### Functions and Technology

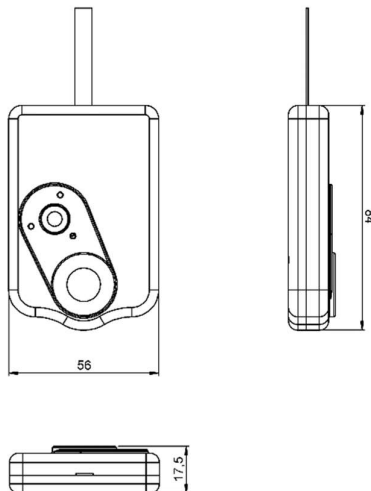
The new Digital Carbon dioxide (CO<sub>2</sub>) and Oxygen (O<sub>2</sub>) probe is revolutionary in design and performance.

Due to the very flat design and flexible connection, the probe can even be inserted into desktop incubators.

It is now possible to make long-term measurements and not only spot-checks. See NiloChecker documentation for advanced functions

Sensors	NDIR (CO <sub>2</sub> ) Electro chem. (O <sub>2</sub> )
Compatible instruments	NiloChecker
Communication	Serial Digital
Data in probe	Calibration offset Calibration day and interval Probe identification Sensor data Sensor range Sensor accuracy
Calibration	Independent from any NiloChecker

### Dimensions



### Specifications

Measure range:	0-30% O <sub>2</sub> 0-12% CO <sub>2</sub>
Accuracy:	0,2% O <sub>2</sub> 0,1% CO <sub>2</sub> +/-3% of measured value.
T90	<20 sec for O <sub>2</sub> <15 Sec for CO <sub>2</sub>
Temperature compensated:	YES (20-40°C)
Altitude compensated:	YES (700-1100 mbar)
Display Resolution:	0,01
Display updates:	1 per second
Compliance:	CE with NiloChecker RoHS, IP 50
Calibration:	Can be calibrated in accordance with ISO/IEC 17025

Operating conditions:	0-50 °C 5-95% RH
Cable length:	1,7m (0,5m Flat Cable) 1,5m (0,25m Very Flat Cable)
Housing materials:	Aluminum and Nylon
Cable materials:	TPE (Flat part) PVC (Round part)

### Ordering Information

DG 112 FC, Sensor with Flat Cable for box-type incubators.  
Part no: 112s002

DG112 VFC, Sensor with Very Flat Cable for desktop incubators  
Part no: 112s003

Both types are delivered with Factory calibration certificate